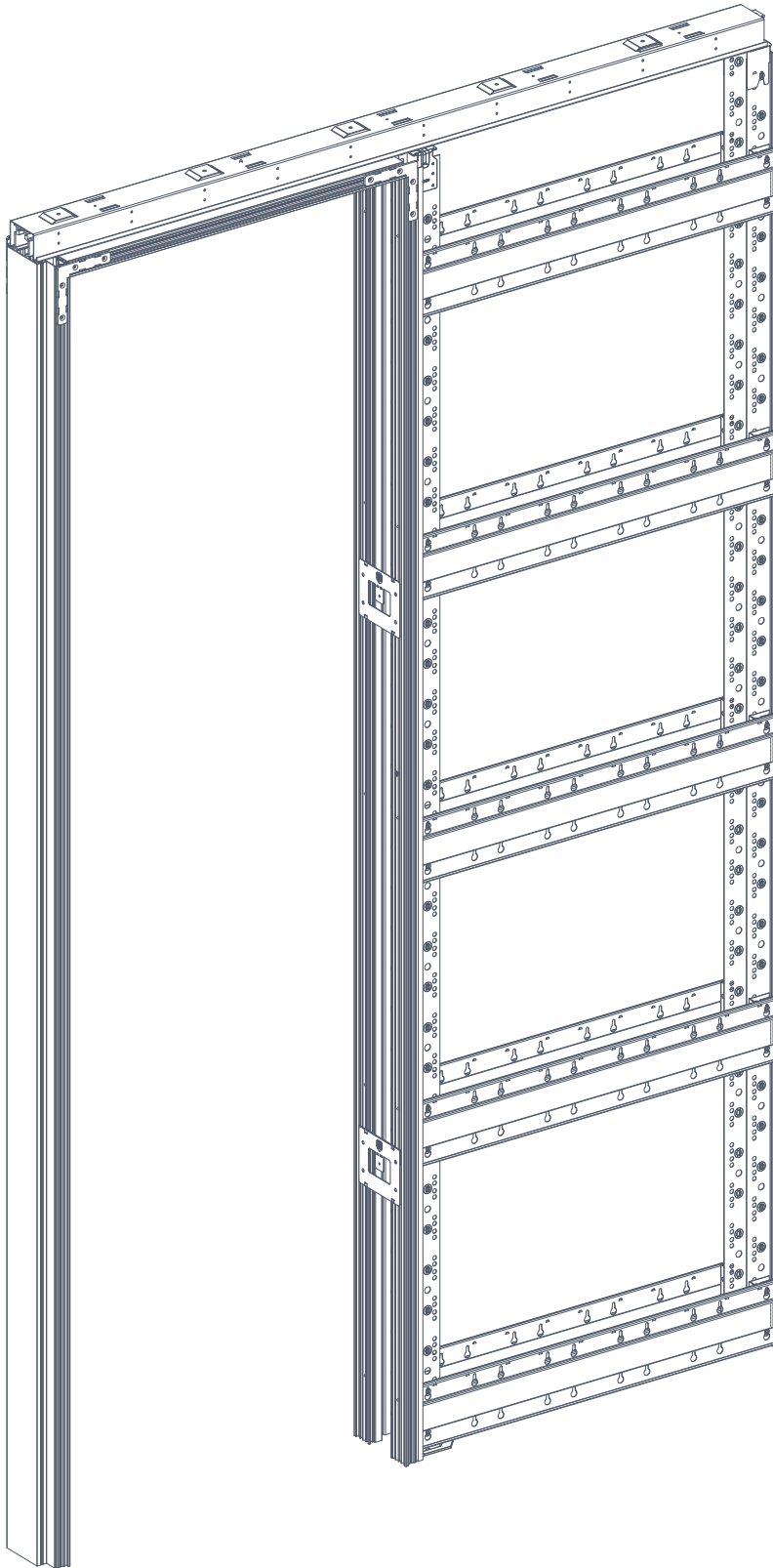


**WINGBURG®**



## **Assembly instructions**

Installation elements for sliding doors

**BELPORT B1T**

Safety instructions	3
Required tools	3
Scope of delivery	4
Assembly CW75	6 - 9
Assembly CW100	10-13
Installation conditions	14
Wall opening	14
Panelling instructions	16
Soffit filling	18
Primer	19

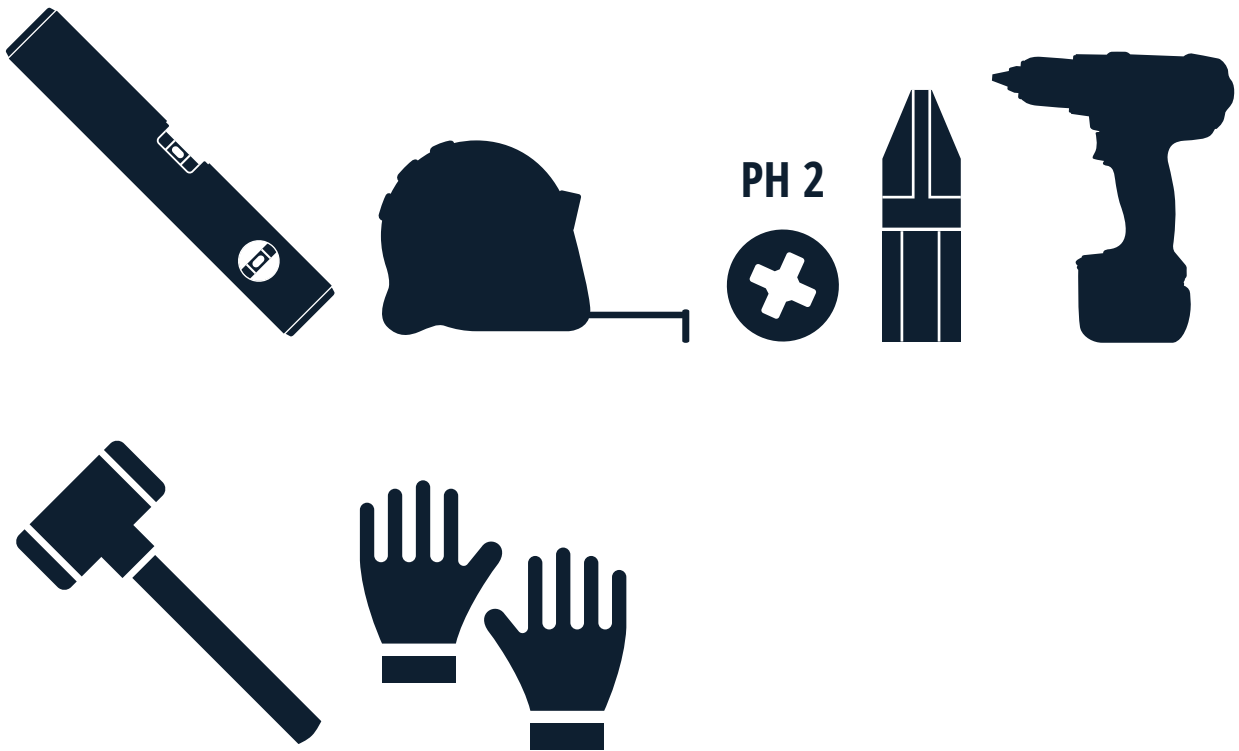
## Safety instructions

---

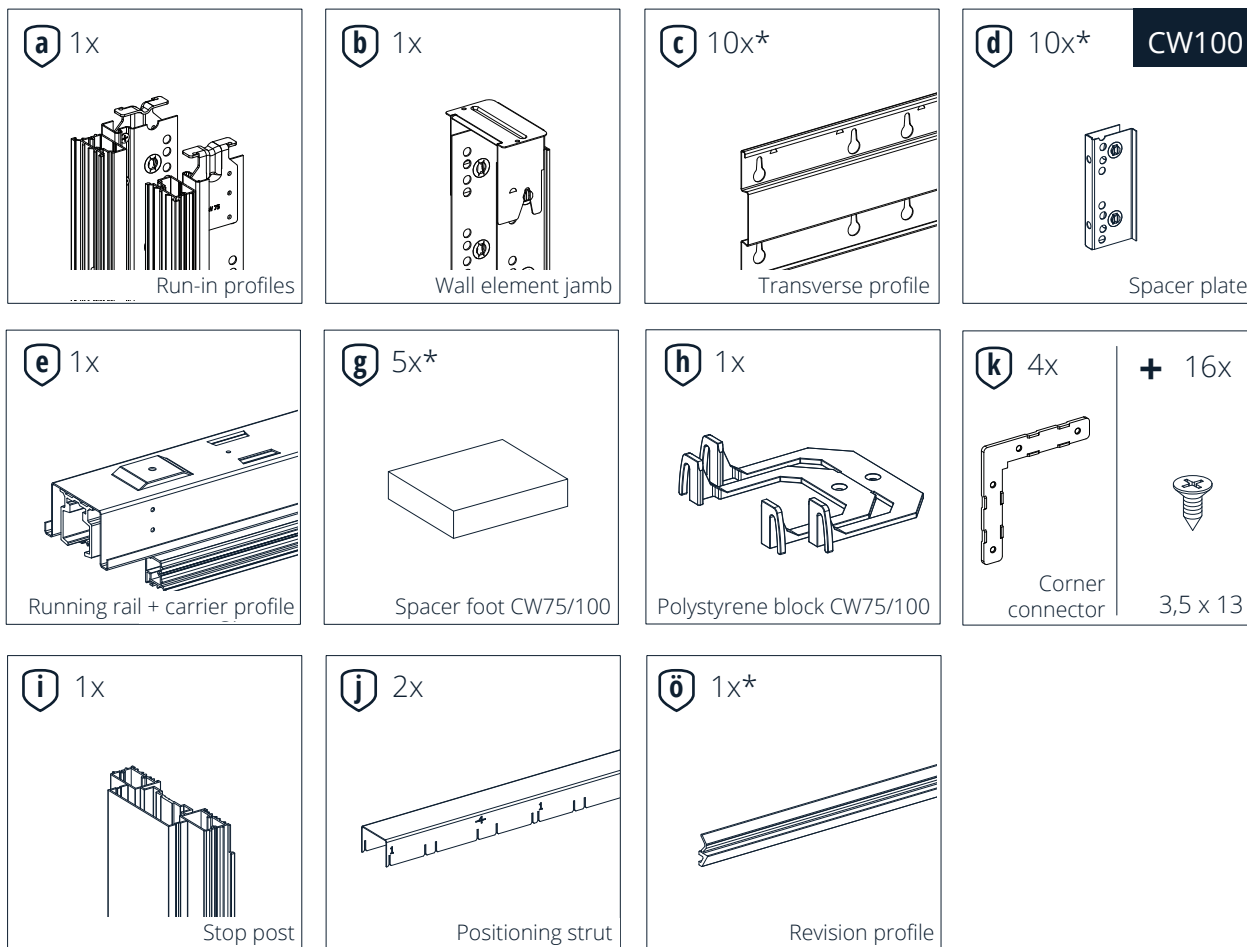
Before installation, please read the instructions carefully. If you have difficulties in understanding the instructions please contact your customer service or your supplier. To assemble the product correctly, please use the tools as indicated on the following page. As some edges maybe sharp we recommend you wear gloves to protect your hands and cover all working surfaces to prevent them from being damaged. Use the correct lifting and carrying techniques during installation. All items have been checked prior to delivery be "Wingburg". "Wingburg" does not accept any liability for damage that occurs during installation or transportation.

## Required tools

---

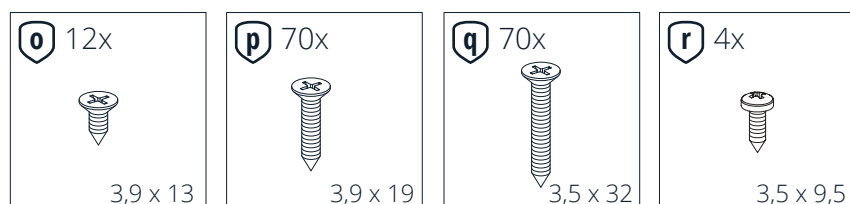


## Components

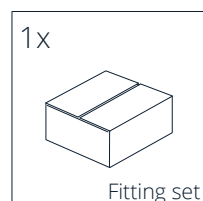


\* The quantity is adapted to the respective installation height of the set and may differ.

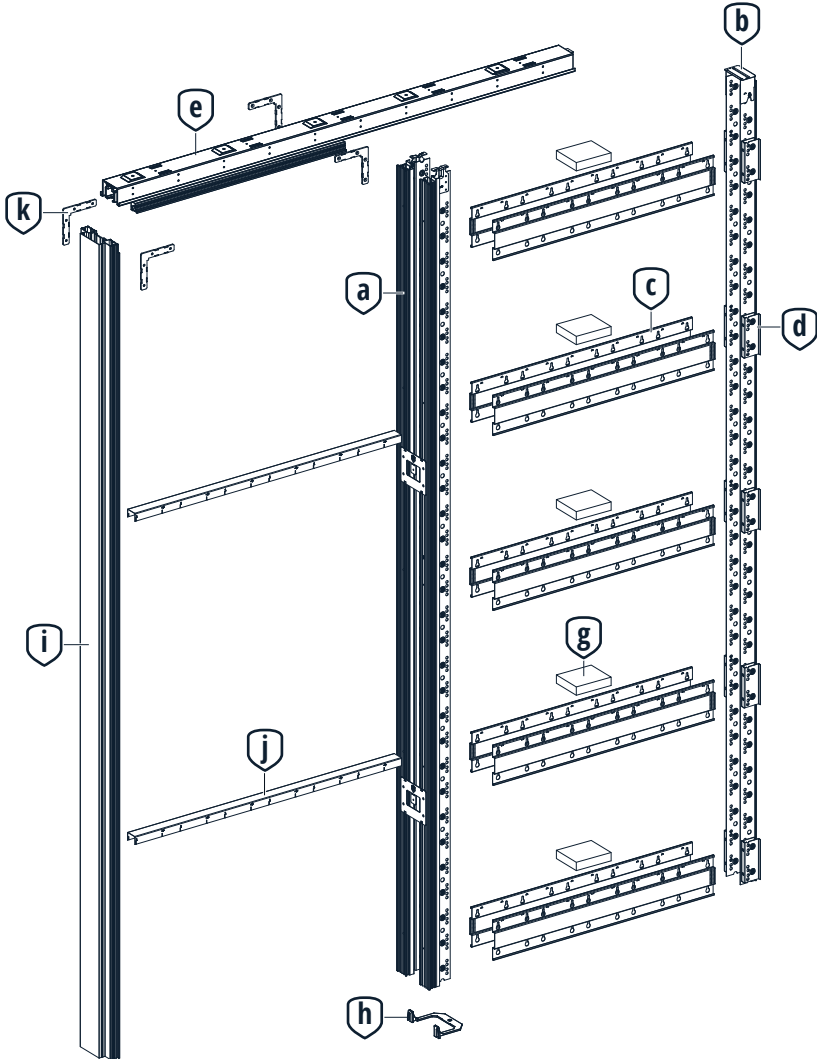
## Standard parts



## Miscellaneous

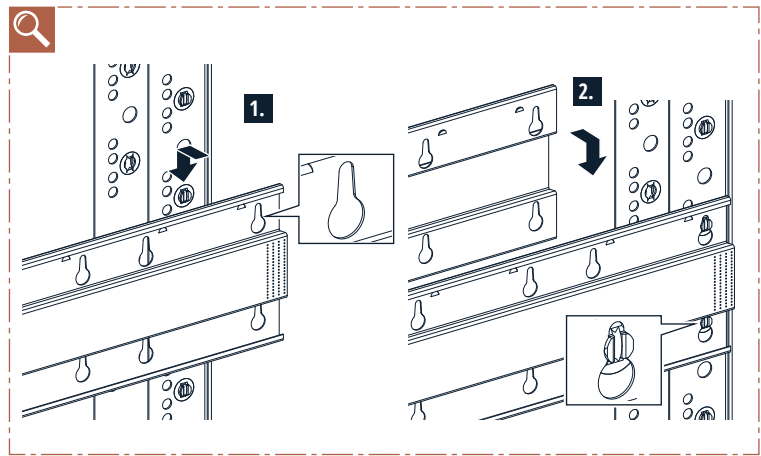
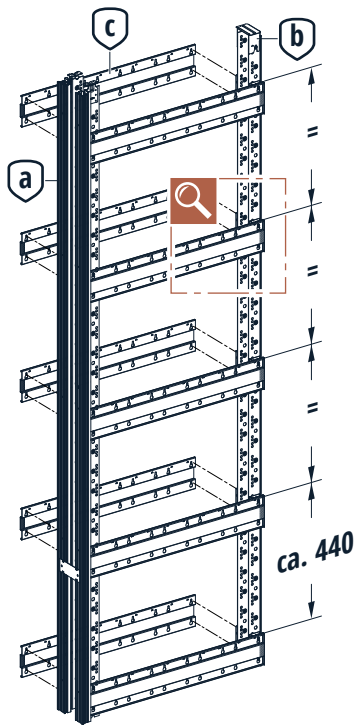


Overview of components



<p><b>CW75</b> profile (condition as supplied) » Assembly from page 6</p>	<p><b>CW100</b> profile (convertible) » Assembly from page 10</p>
<p>Single-planked</p>	<p>Single-planked</p> <p>Not possible</p>
<p>Double-planked</p>	<p>Double-planked</p>

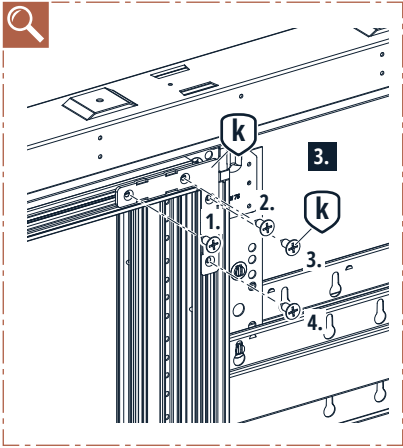
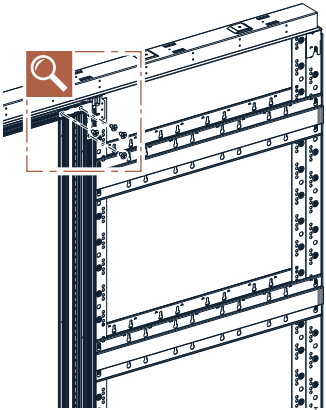
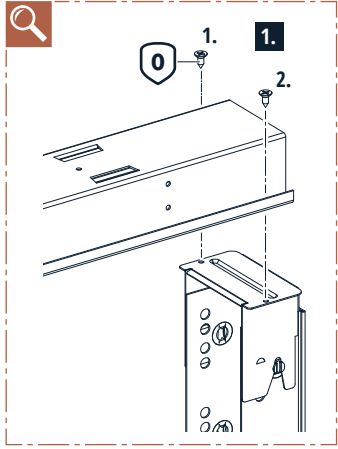
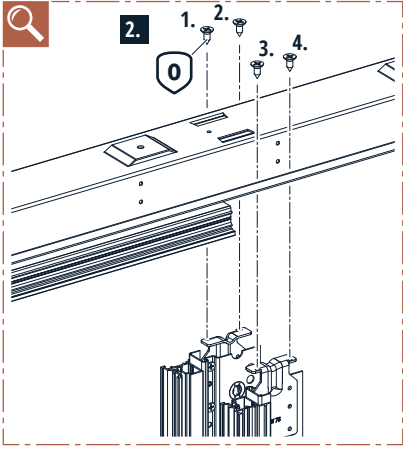
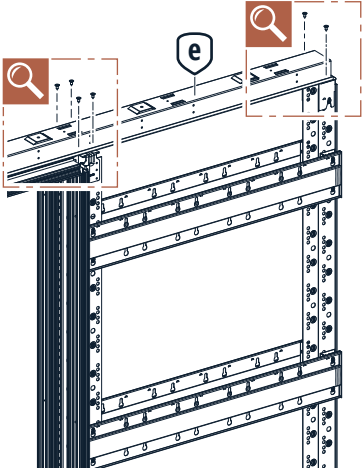
1.



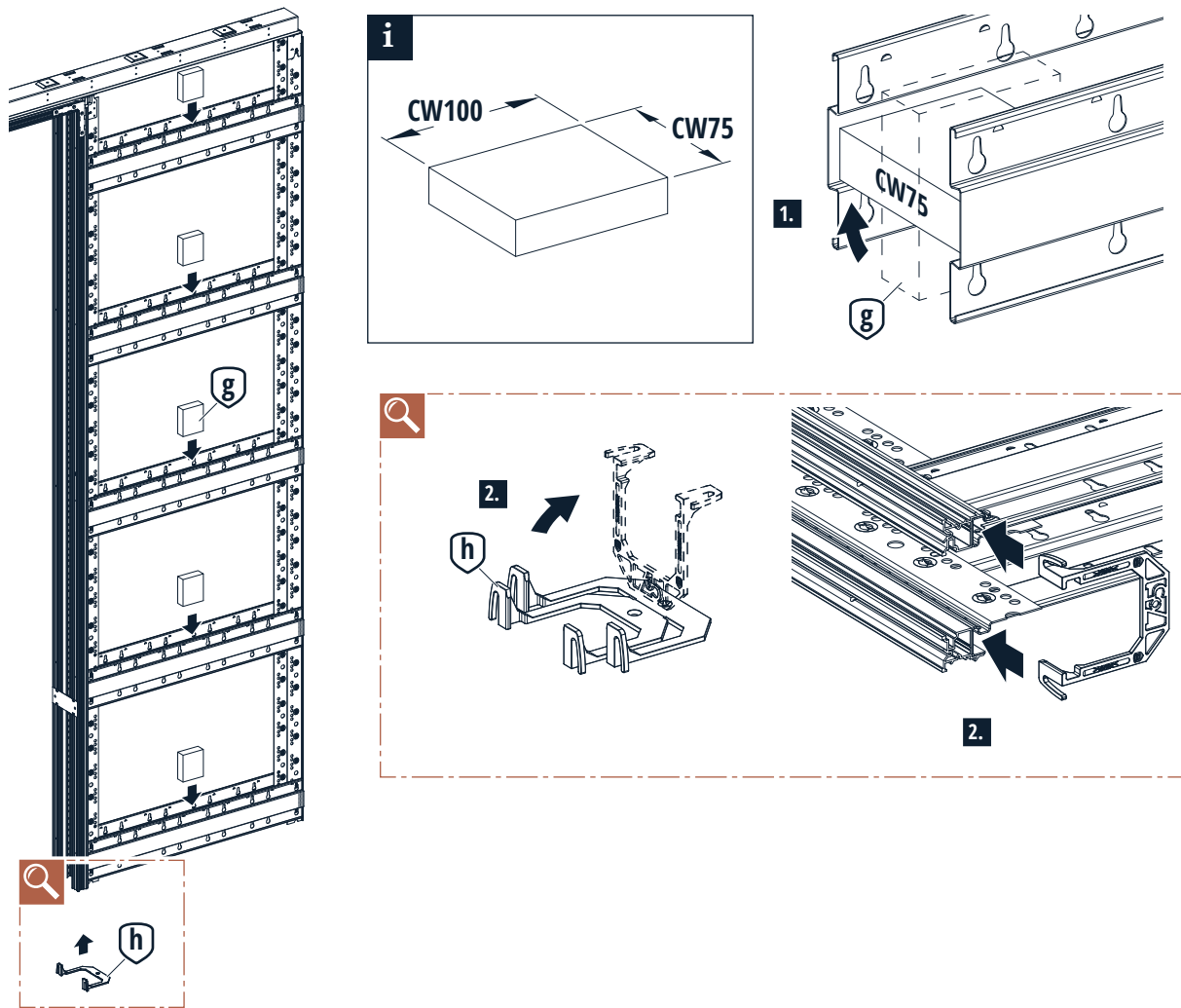
**TIP**

Construction can be facilitated by pre-assembling horizontally

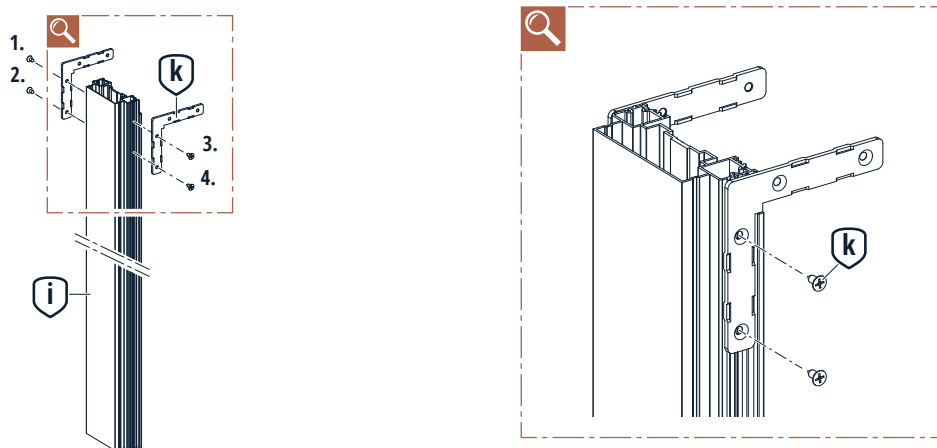
2.



3.

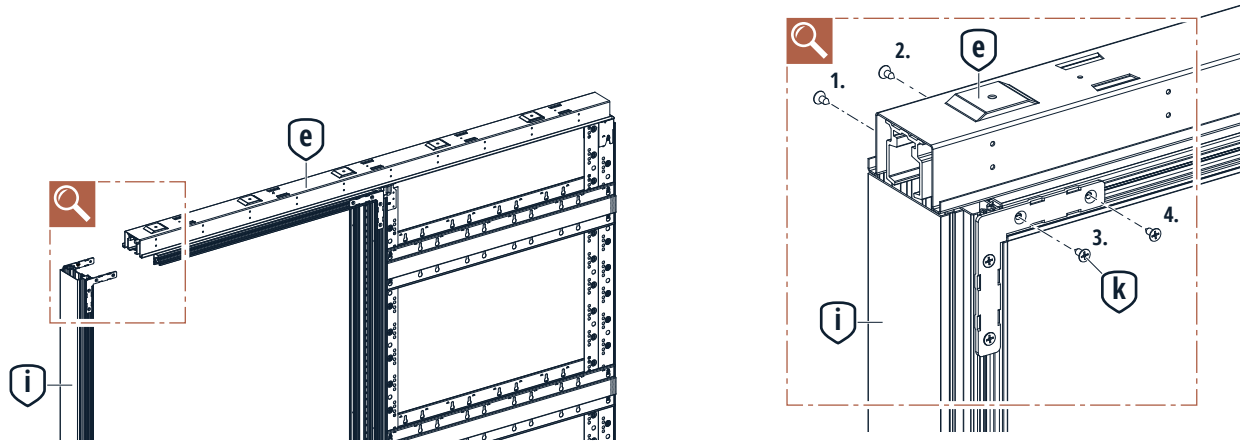


4.

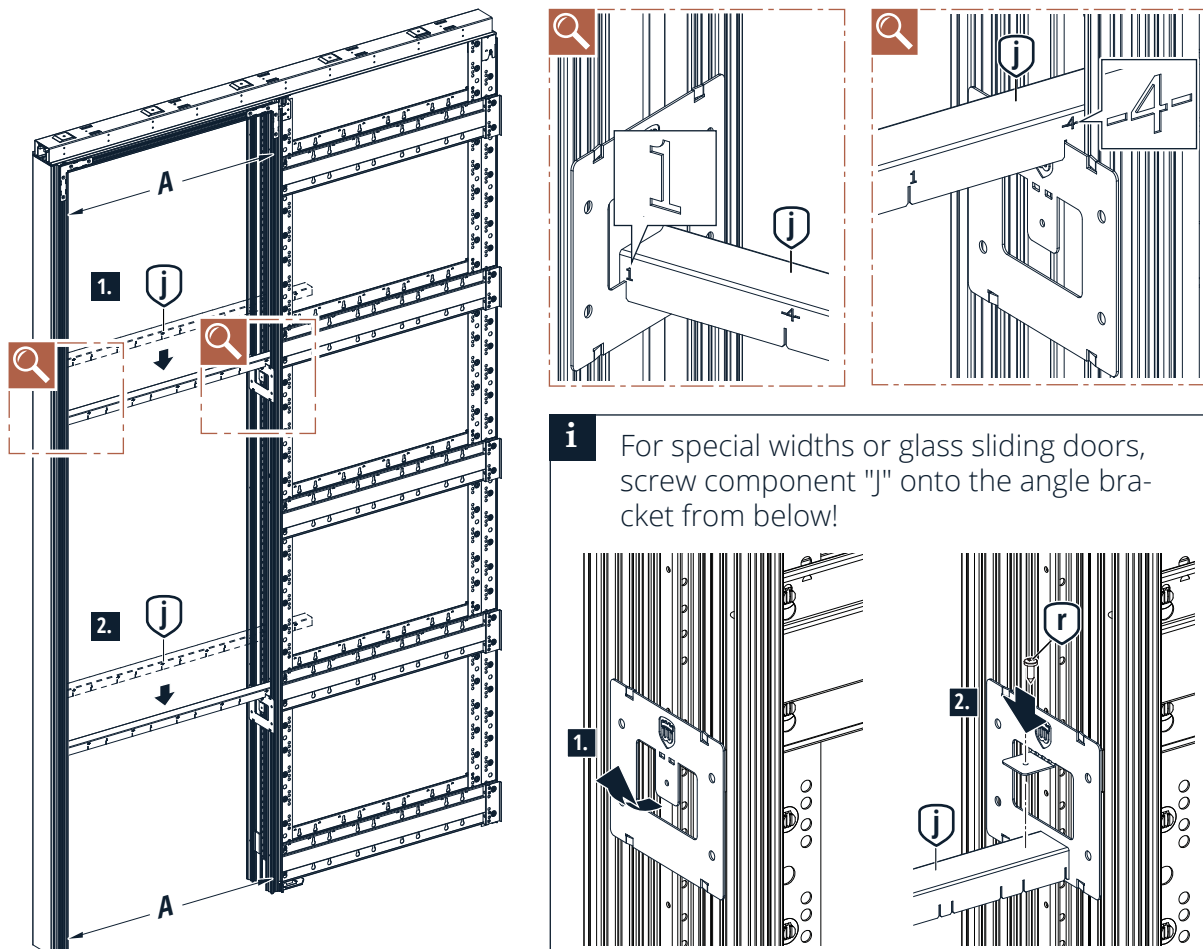




5.

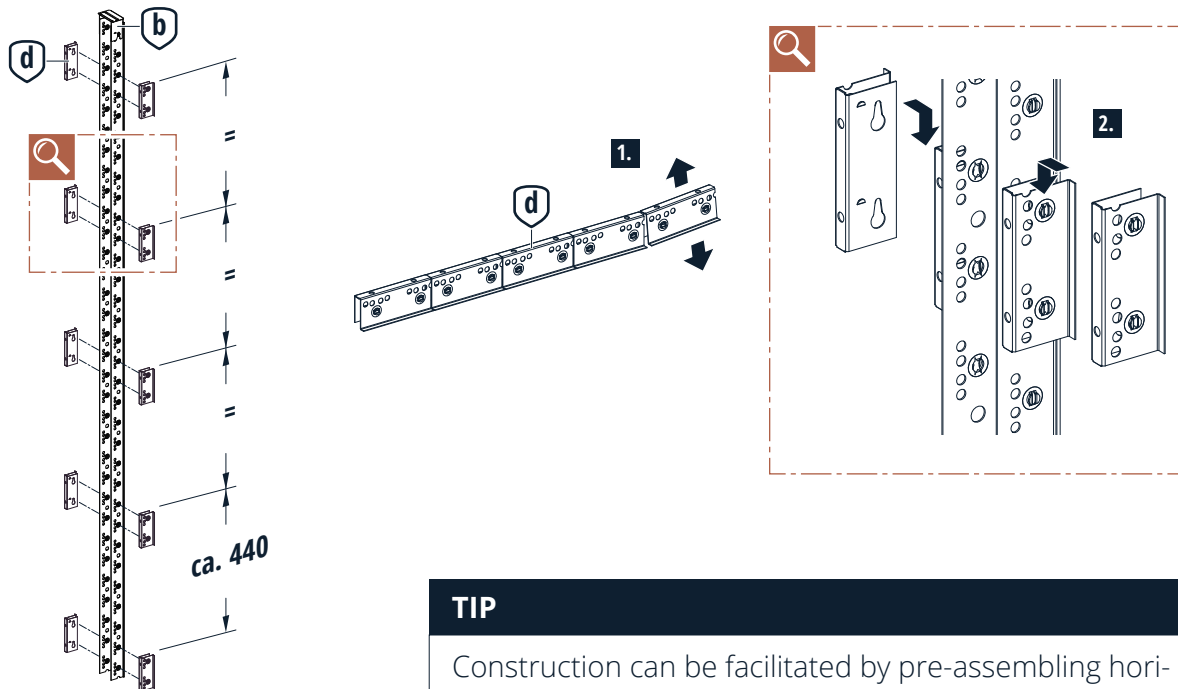


6.



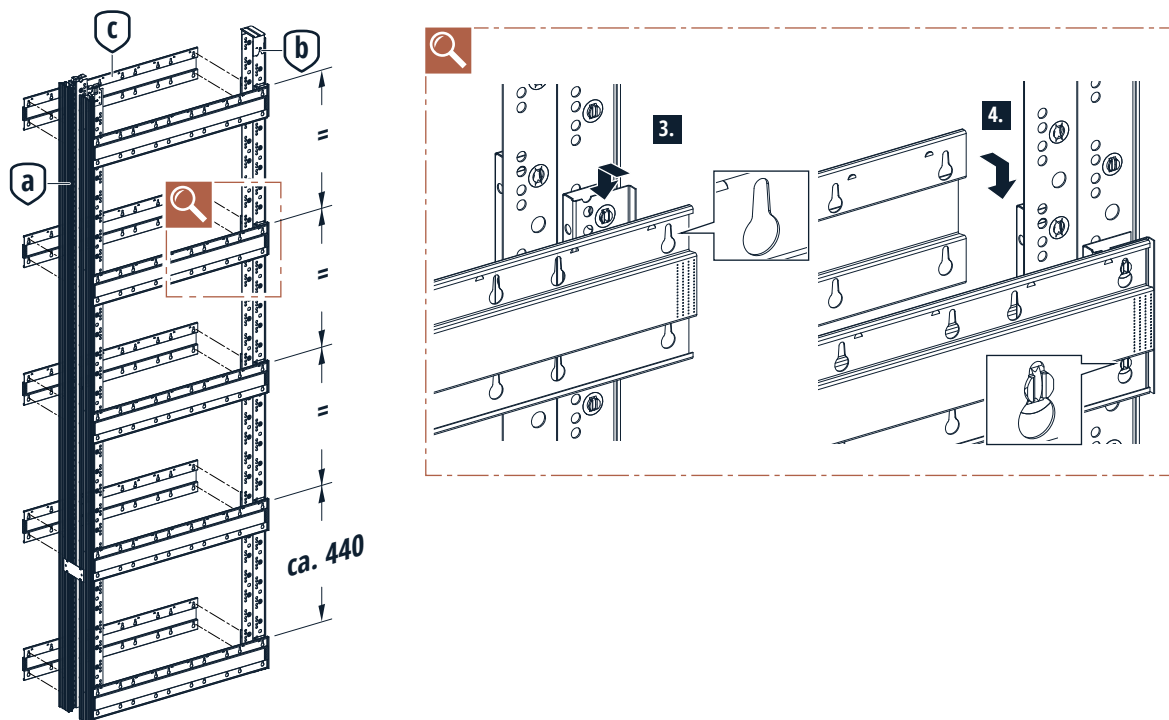
» Continue to step 7 on page 14

1.

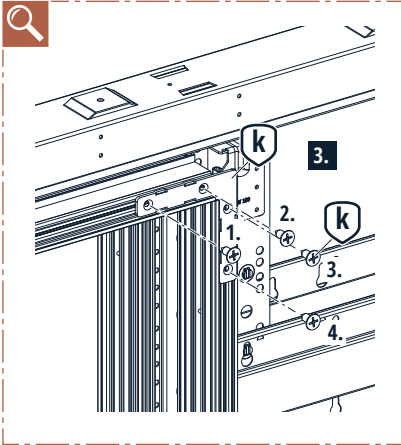
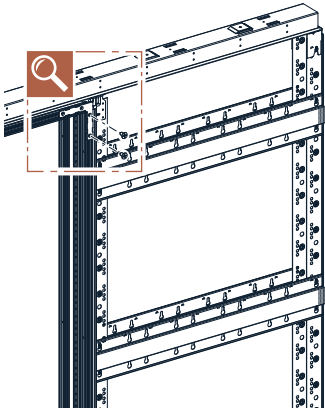
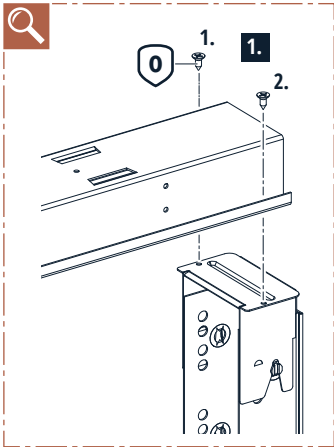
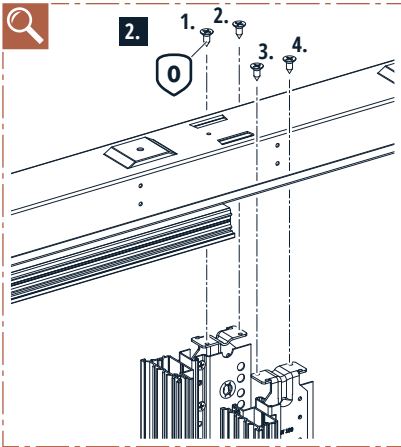
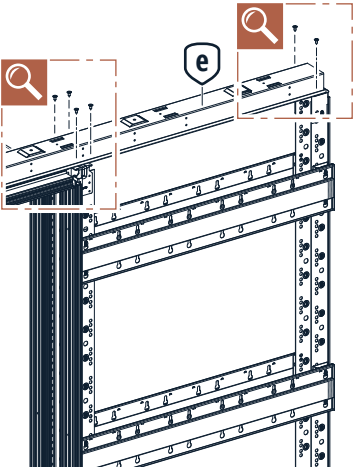


**TIP**  
Construction can be facilitated by pre-assembling horizontally

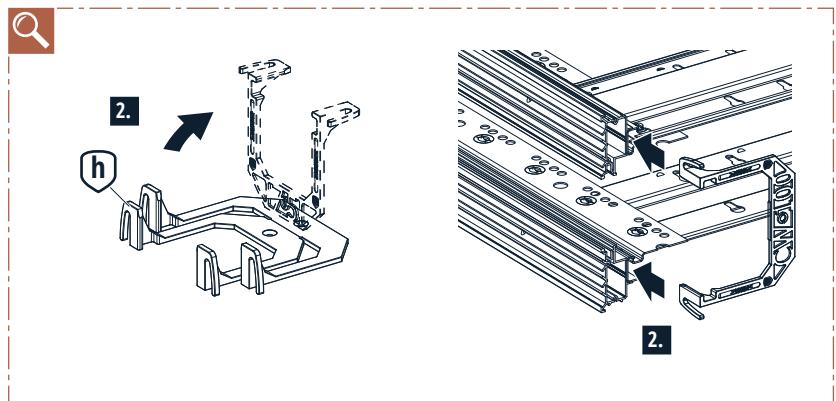
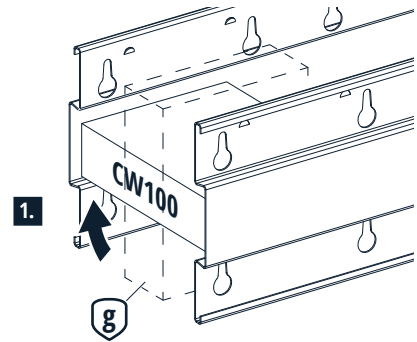
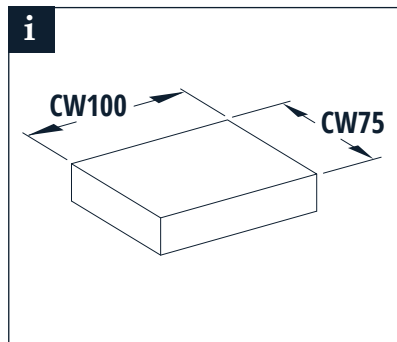
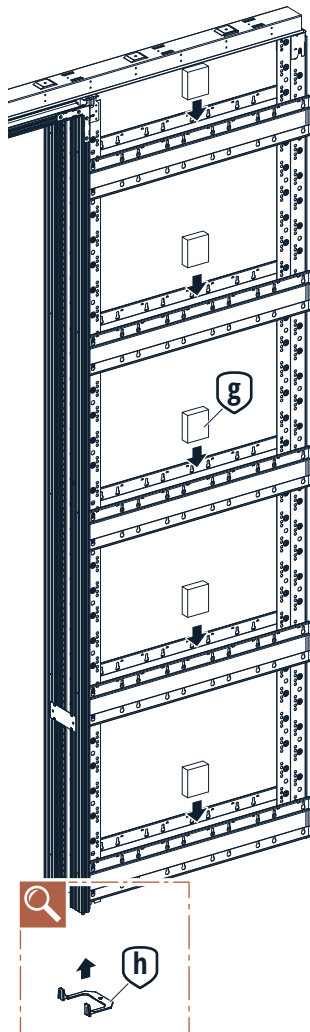
2.



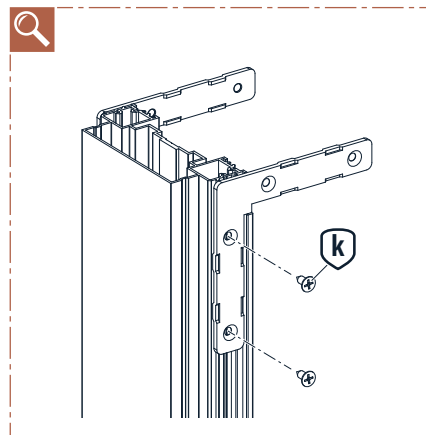
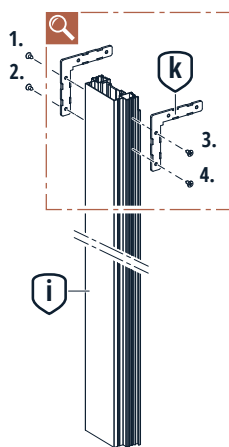
3.



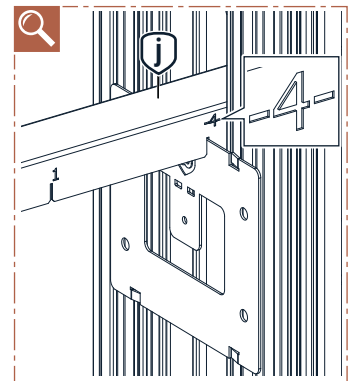
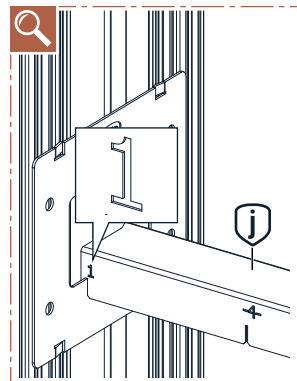
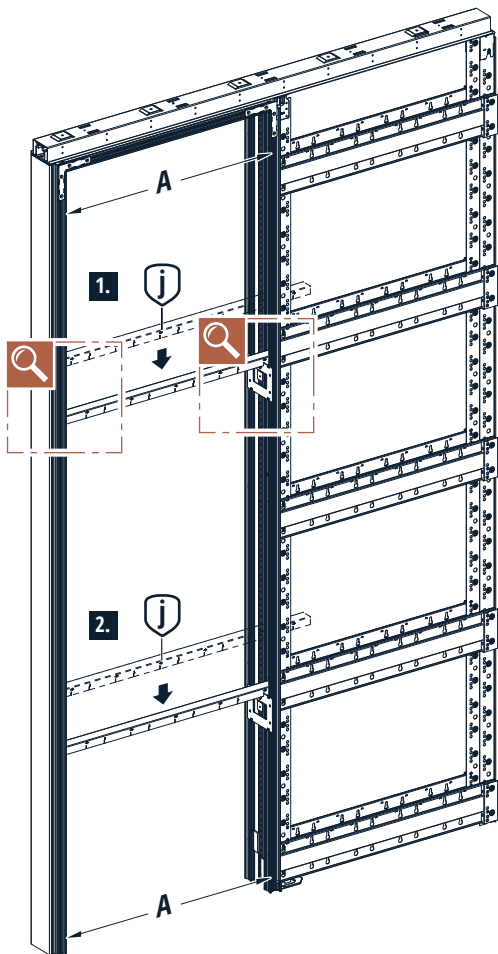
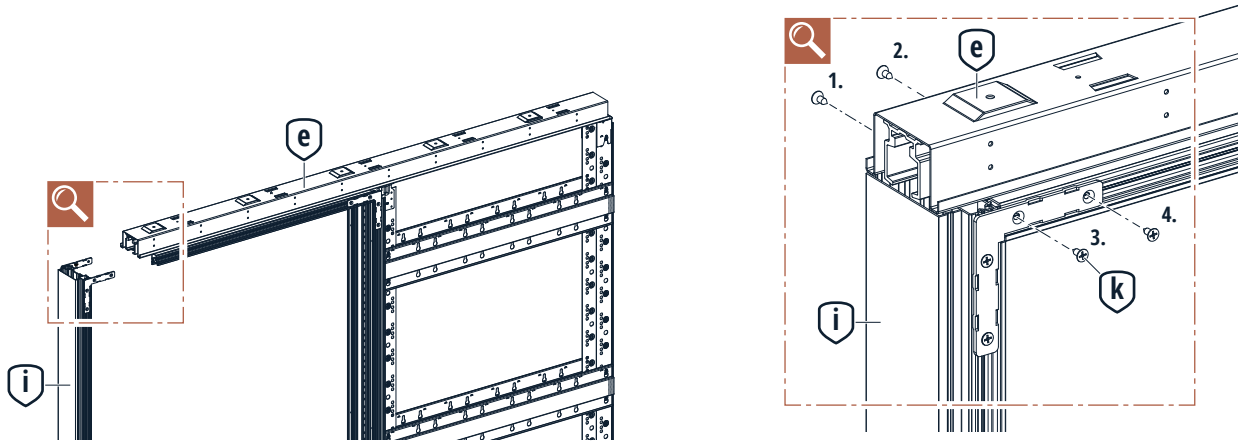
4.



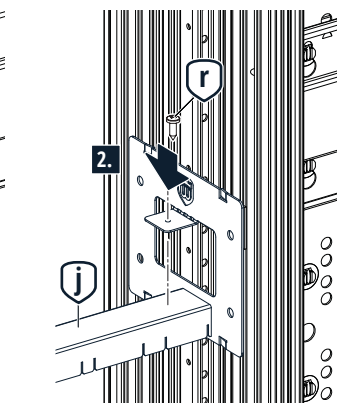
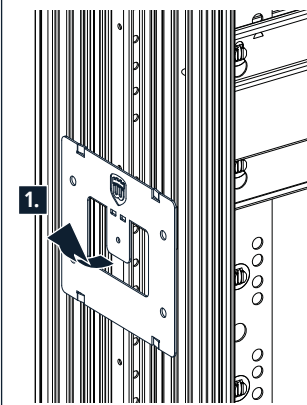
5.



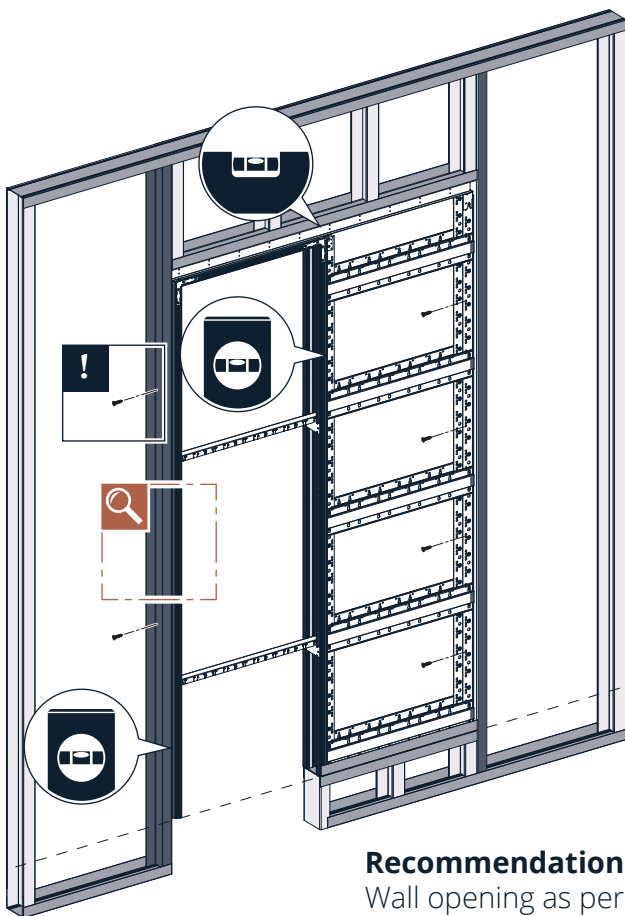
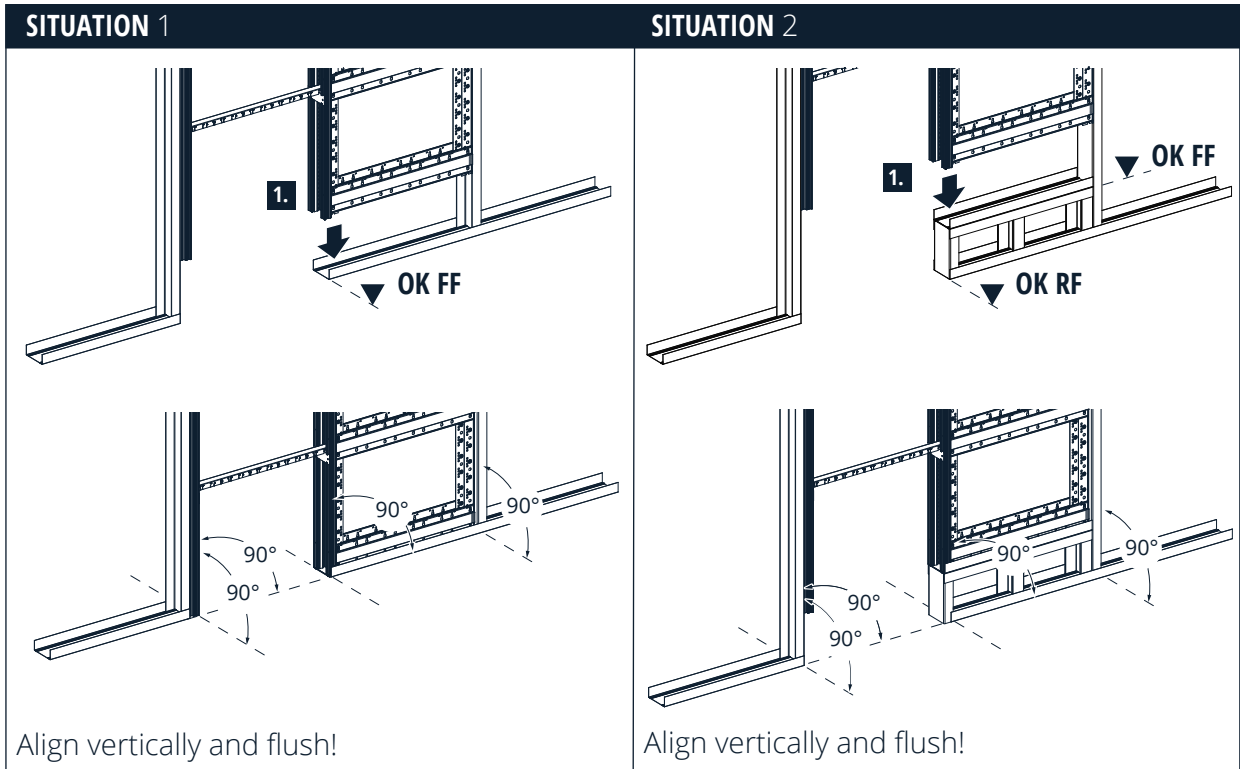
6.



**i** For special widths or glass sliding doors, screw component "j" onto the angle bracket from below!



7.



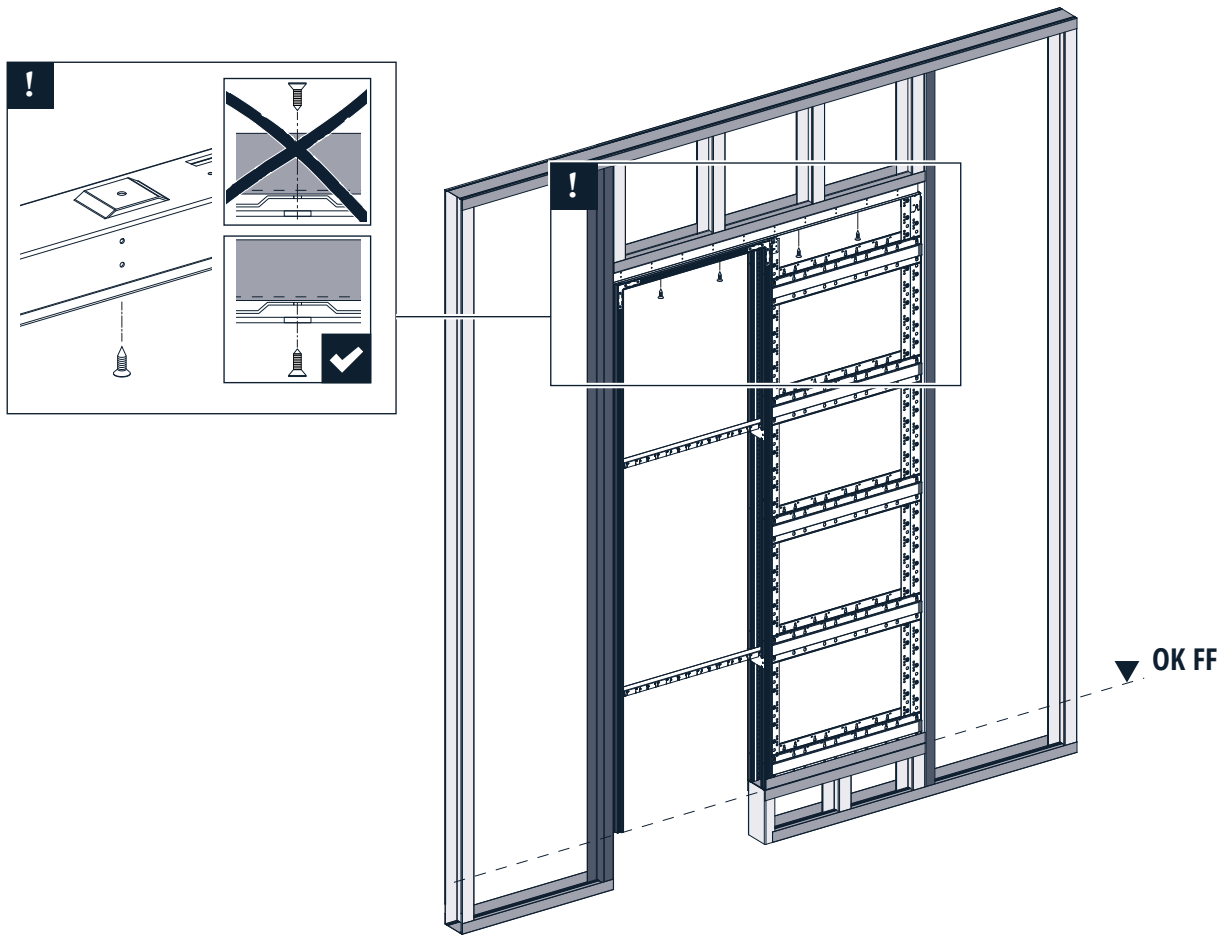
**! Screw the stop profile from the rear side!**

▼ OK FF

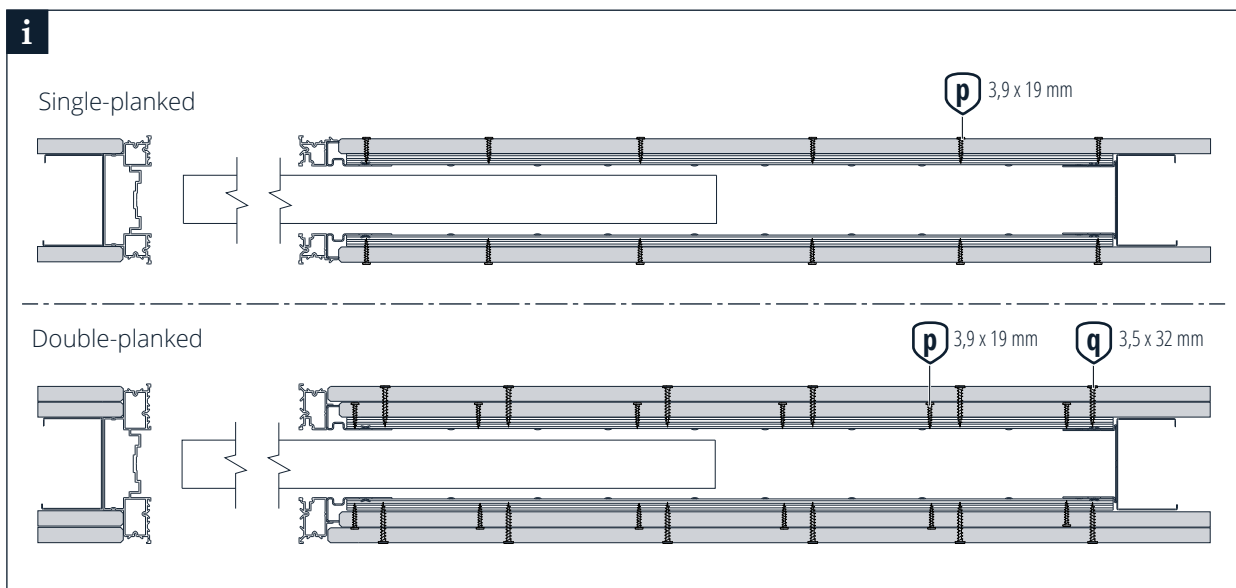
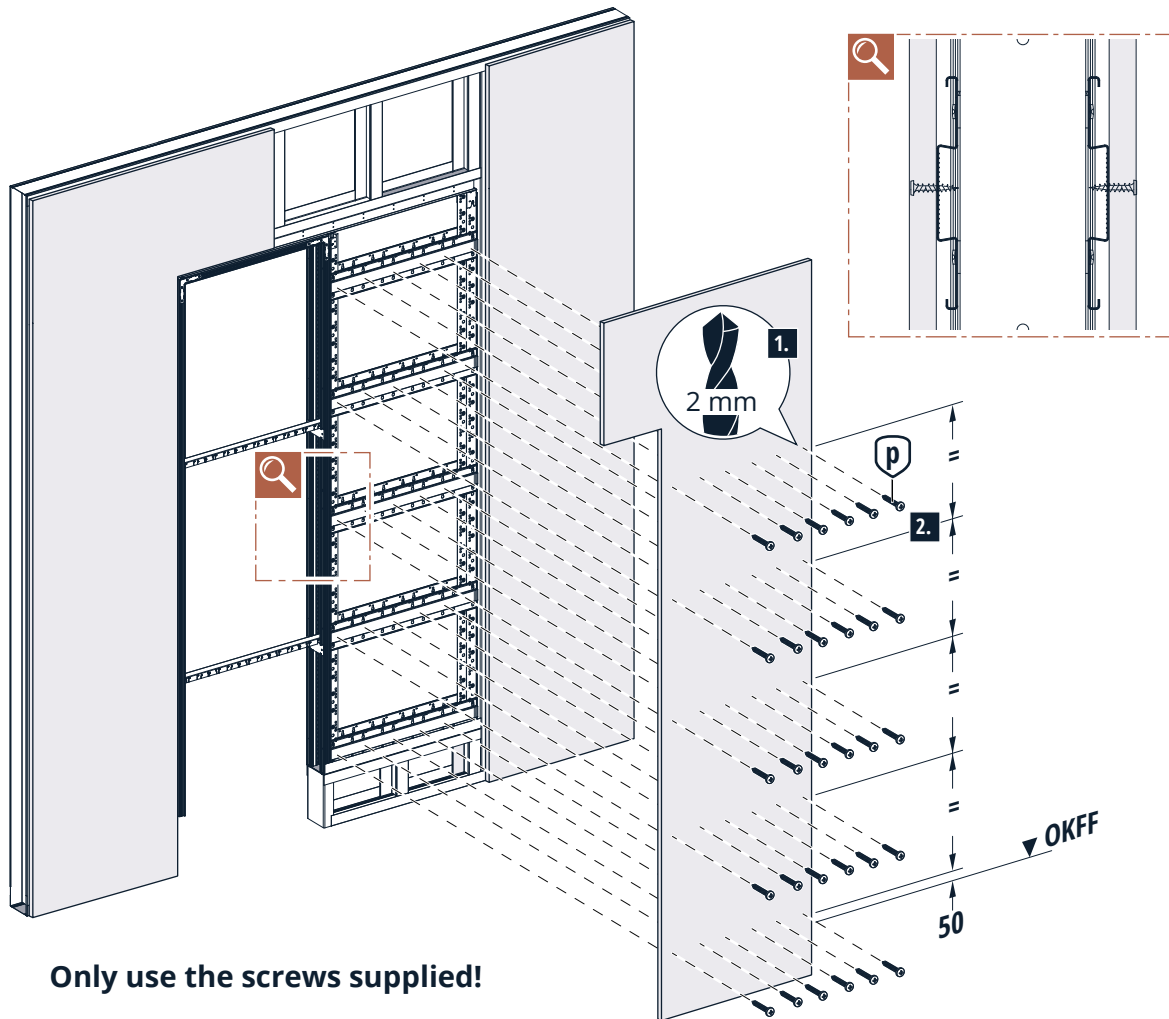
**Recommendation:**  
Wall opening as per DIN 18183-1

- UW profile
- CW profile
- UA profile

7.

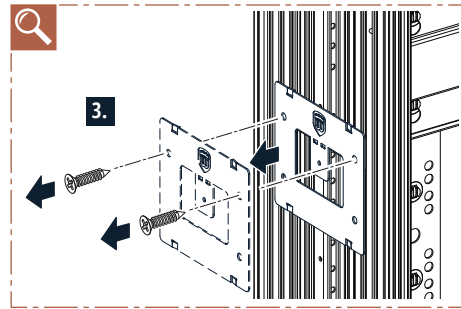
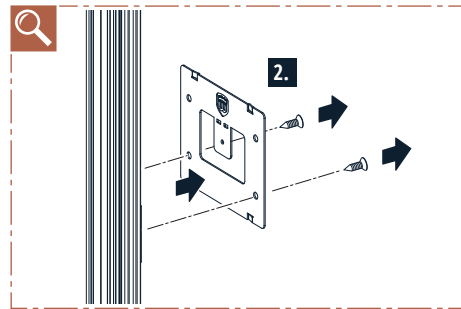
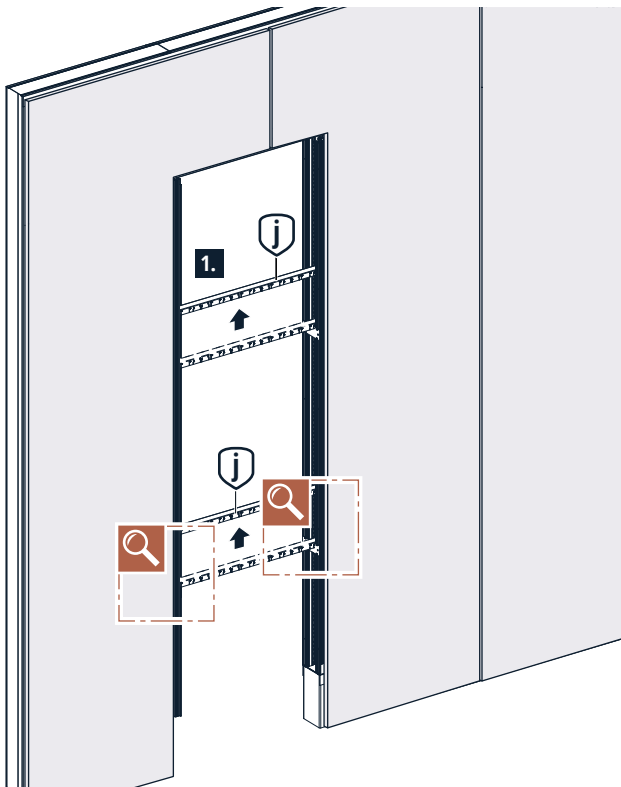


8.

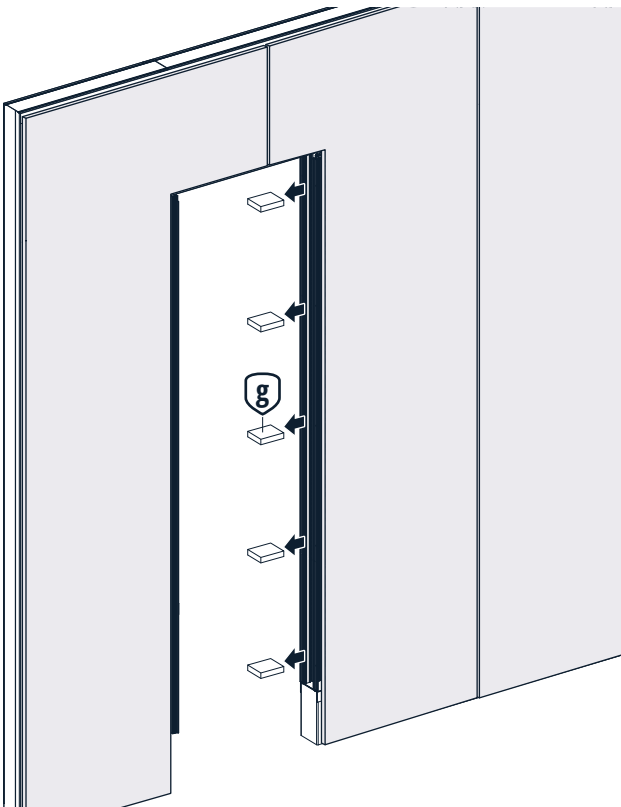




9.



10.



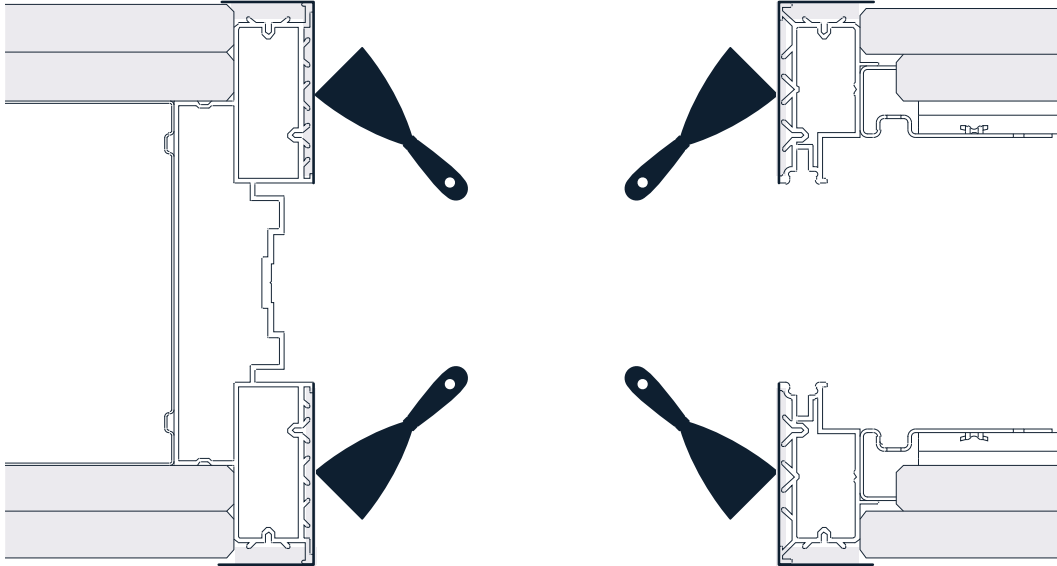
**TIP**

To remove the spacer blocks "g", use a long object, if necessary, and break them.

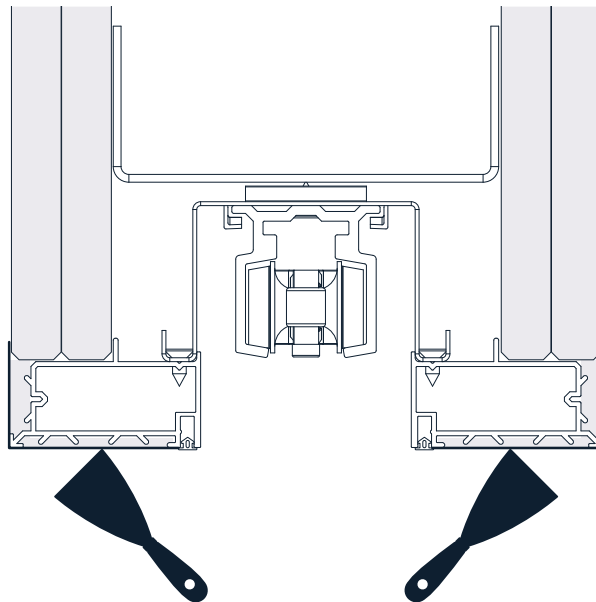
11.

---

Horizontalschnitt

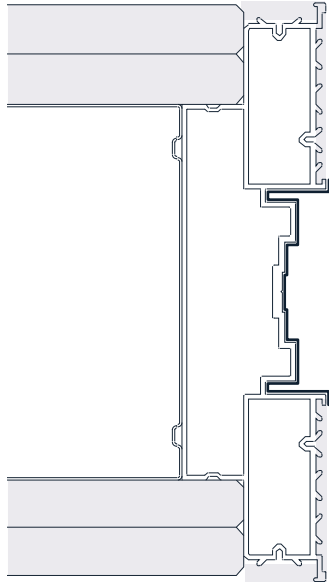


Vertikalschnitt

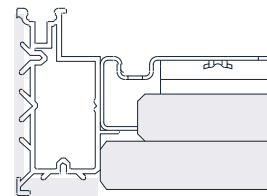
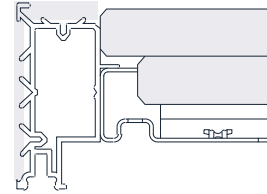
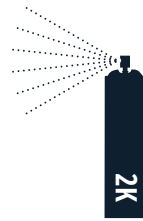


## 12.

Horizontalschnitt



**NOTE:**  
2-component aluminium primer is recommended.





**WINGBURG**

 **+49.5257.94792-0**  
 **info@wingburg.de**  
 **www.wingburg.de**